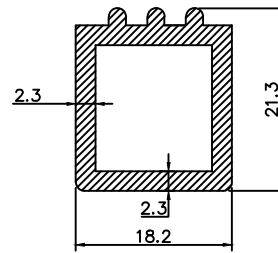
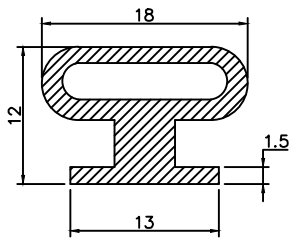


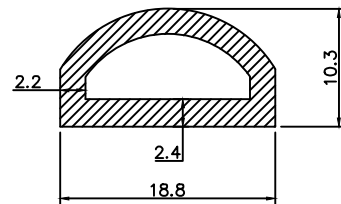
Tool No:-WP/EX/W95



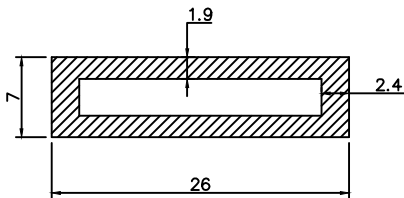
Tool No:-WP/EX/W96



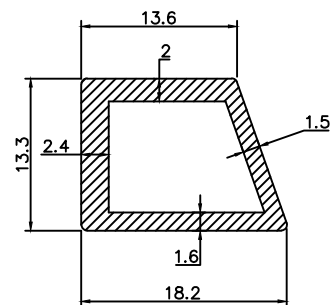
Tool No:-WP/EX/W103



Tool No:-WP/EX/W116



Tool No:-WP/EX/W121



Tool No:-WP/EX/W128



Western Polyrub India Pvt. Ltd.  
Mumbai-400104

Description:- PAGE NO.3

Material:-

Drawn:- K.V

Checked:- S.Y

Hardness:-

colour:-

Title:- INFLATABLE DIE LIST

Part No:- -----

Compound No:- -----

Tool No:- -----

Size:-

A4

Revision:- 01

Dimensions are in mm